

Macpherson

*Meistergram*<sup>®</sup>

COMPACT  
EMBROIDERY MACHINES

**12 Needle**  
**PRO1200**

**15 Needle**  
**PRO1500**

PARTS BOOK

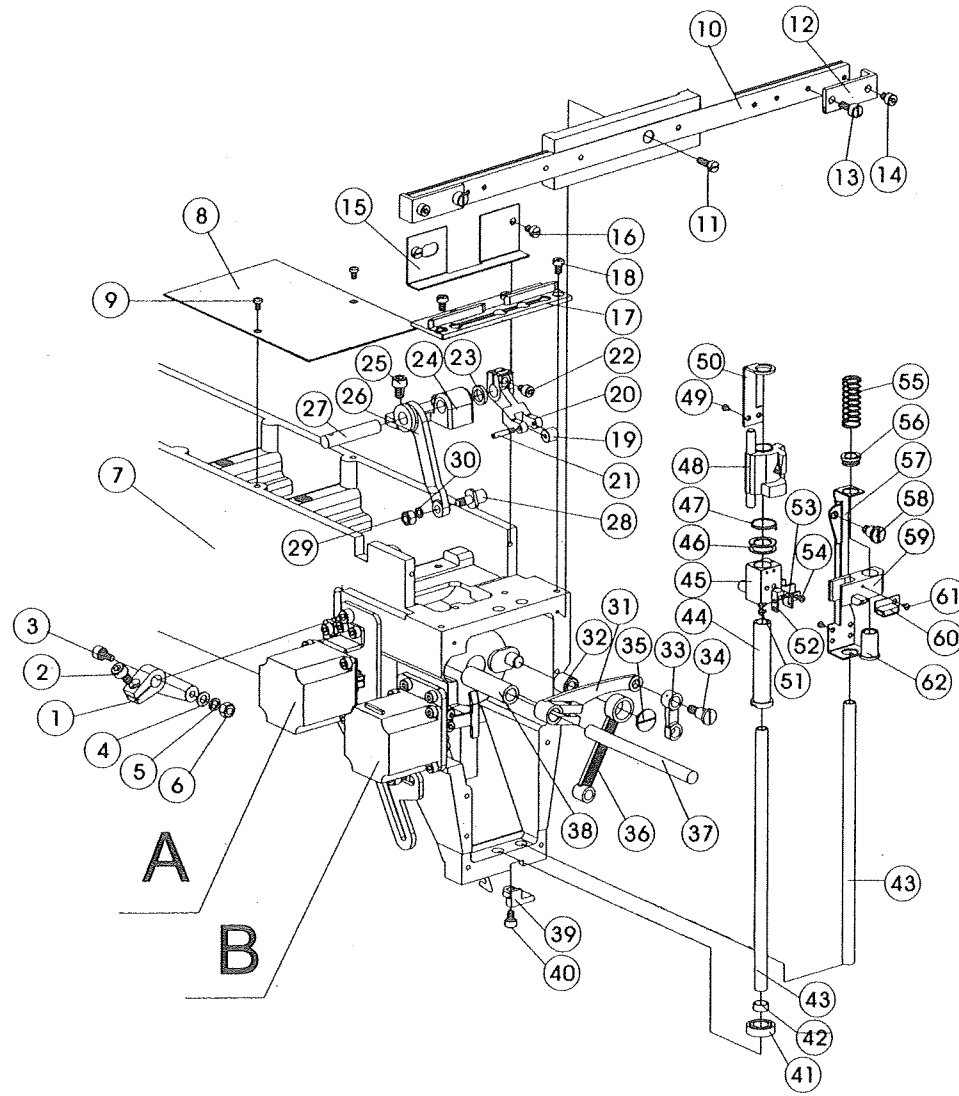
From the library of: Diamond Needle Corp

INSIDE FRONT COVER  
(BLANK)

# CONTENTS

ARM	01~04
UPPER SHAFT	05~06
NEEDLE BAR CAGE	07~08
COLOR CHANGE SYSTEM	09~10
UPPER THREAD HOOK	11~12
TENSION BASE	13~14
BOBBIN WINDER	15~16
BASE	17~18
ROTARY HOOK BASE	19~20
TRIM SYSTEM	21~22
X DRIVE	23~24
CAP FRAME BASE	25~26
CAP FRAME A	27~28
CAP FRAME B	29~30
CAP BASE	31~32
THREAD STAND	33~34

— ARM —



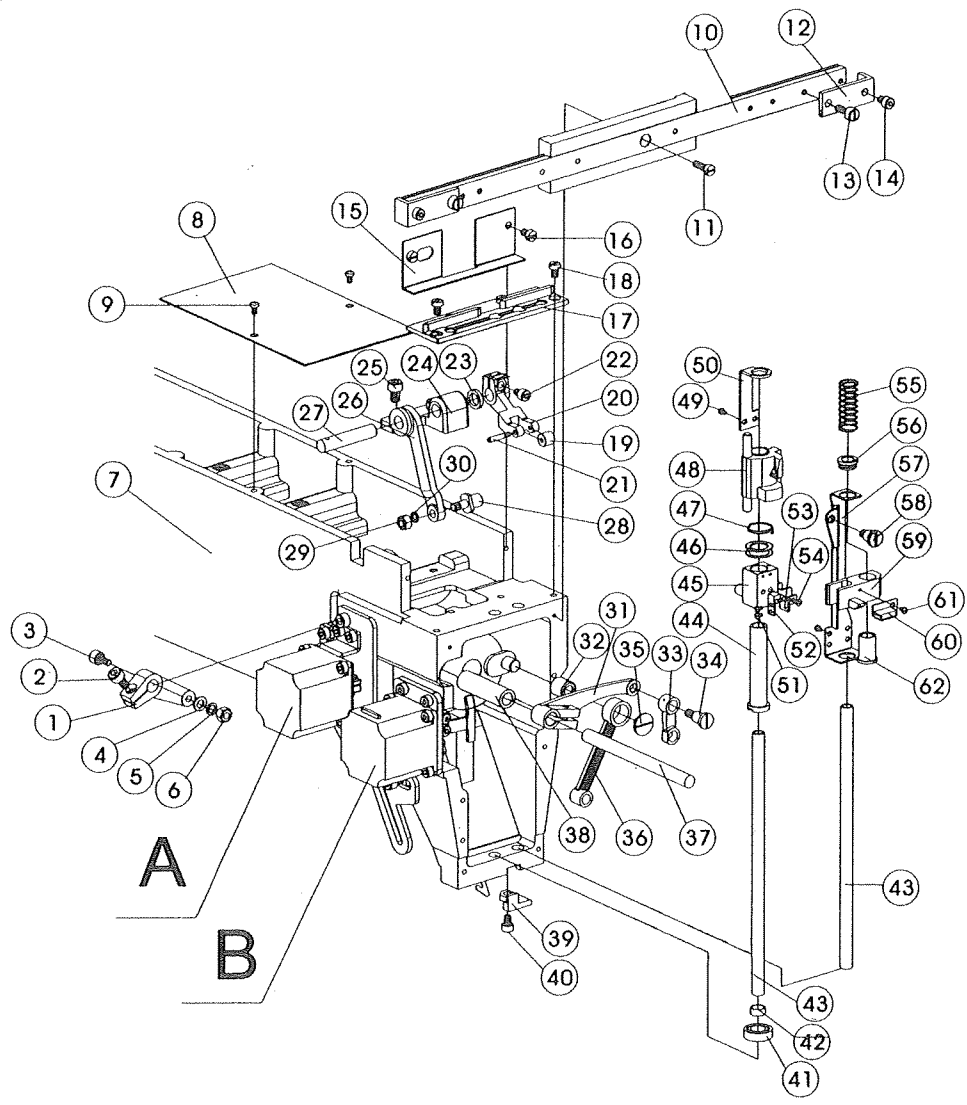
From the library of: Diamond Needle Corp

SN	Part No	Description	Note
①	MD-1514	Presser Foot Shaft Set	
②	GB/T70.1--2000	Screw	M4X10
③	GB/T70.1--2000	Screw	M5X10
④	GB97.1-1985	Plain Washer	φ 5
⑤	GB/T93-1987	Spring Washer	φ 5
⑥	GB/T41-2000	Nut	M5
⑦	MD-2801	Arm	
⑧	MD-2807	Upper Cover	
⑨	GB/T819-2000	Screw	M4X8
⑩	MD-2401	Guide Rail	
⑪	MD-2401-A	Screw	20
⑫	MD-2403	Guide Rail Limit	
⑬	MD-1108	Stopper Pin	
⑭	GB/T70.1--2000	Screw	M4X10
⑮	MD-0919	Cover	
⑯	GB/T819-2000	Screw	M4X6
⑰	MD-2405	Take-up Lever Guide Plate	
⑱	GB/T819-2000	Screw	M4X6
⑲	MD-2412	Driving Roller A	

SN	Part No	Description	Note
⑳	MD-2426	Take-Up Lever Driver Lever	
㉑	MD-2427	Driver Roller A Shaft	
㉒	GB/T70.1--2000	Screw	M4X8
㉓	MD--0910	Wahser	
㉔	MD-2408	Take-Up Lever Base	
㉕	GB/T70.1--2000	Screw	M4X8
㉖	MD-2410	Take-Up Lever Driver B	
㉗	MD-2409	Take-Up Lever Shaft A	
㉘	MD--0926	Presser Foot Roller Pin	
㉙	GB/T41-2000	Nut	M5
㉚	GB97.1-1985	Plain Washer	φ 5
㉛	MD--0927	Presser Foot Driver Lever	
㉜	KT8128	Needle Bearing	
㉝	MD--1509	Connecting Lever	
㉞	MD--1507	Presser Foot Pin B	
㉟	MD--0906	Screw	
㊱	MD--0905	Driver Lever	
㊲	MD--1502	Presser Foot Lever Shaft	
㊳	MD--0928	Bushing	

From the library of: Diamond Needle Corp

— ARM —



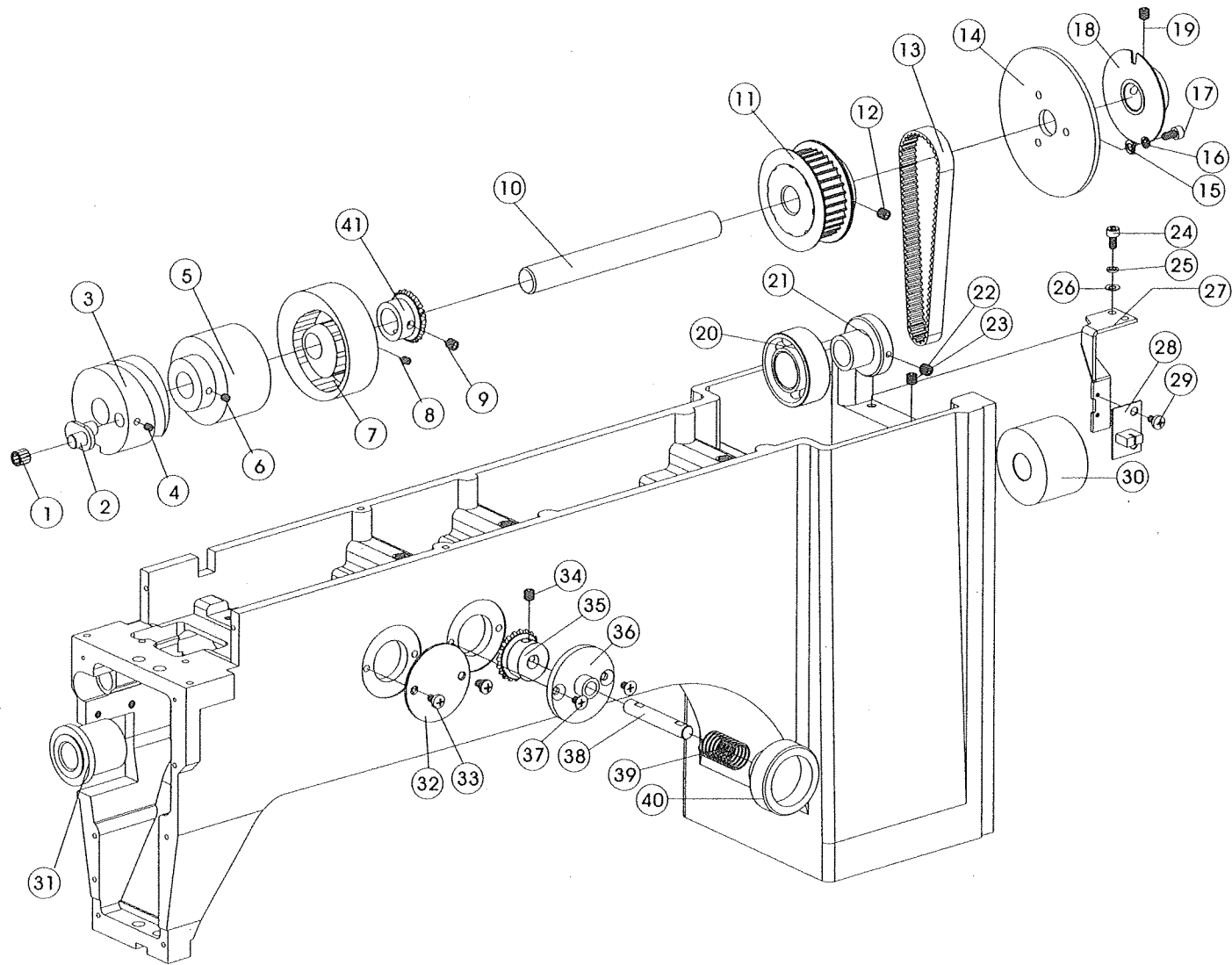
From the library of: Diamond Needle Corp

SN	Part No	Description	Note
③⑨	MD--1422	Position Pin	
④⑩	GB/T70.1--2000	Screw	M4X10
④①	MD--0930-A	Bearing	10089
④②	MD--0930	Bearing Bushing	
④③	MD--0901	Shaft	
④④	MD--0911	Reciprocator Set B	
④⑤	MD--0907	Reciprocator Base	
④⑥	MD--0909	Reciprocator Set A	
④⑦	MD--0908	Reciprocator Spring	
④⑧	MD--0908-A	Reciprocator	
④⑨	GB/T823-1988	Screw	M3X6
⑤⑩	MD--0914	Reciprocator Bracket	
⑤①	GB/T819-2000	Screw	M2X6
⑤②	MD--0912	Reciprocator Set C	
⑤③	MD--0913	Reciprocator Set D	
⑤④	GB/T819-2000	Screw	M3X6
⑤⑤	MD--1510	Presser Foot Spring	
⑤⑥	MD--1504	Presser Foot Bushing	
⑤⑦	MD--1509	Presser Foot Bracket	

SN	Part No	Description	Note
⑤⑧	MD--1506	Presser Foot Pin B	
⑤⑨	MD--1501	Presser Foot Base	
⑥⑩	MD--1503	Felt Set	
⑥①	GB/T819-2000	Screw	M3X6
⑥②	MD--1505	Presser Foot Bushing B	

From the library of: Diamond Needle Corp

UPPER SHAFT



From the library of: Diamond Needle Corp



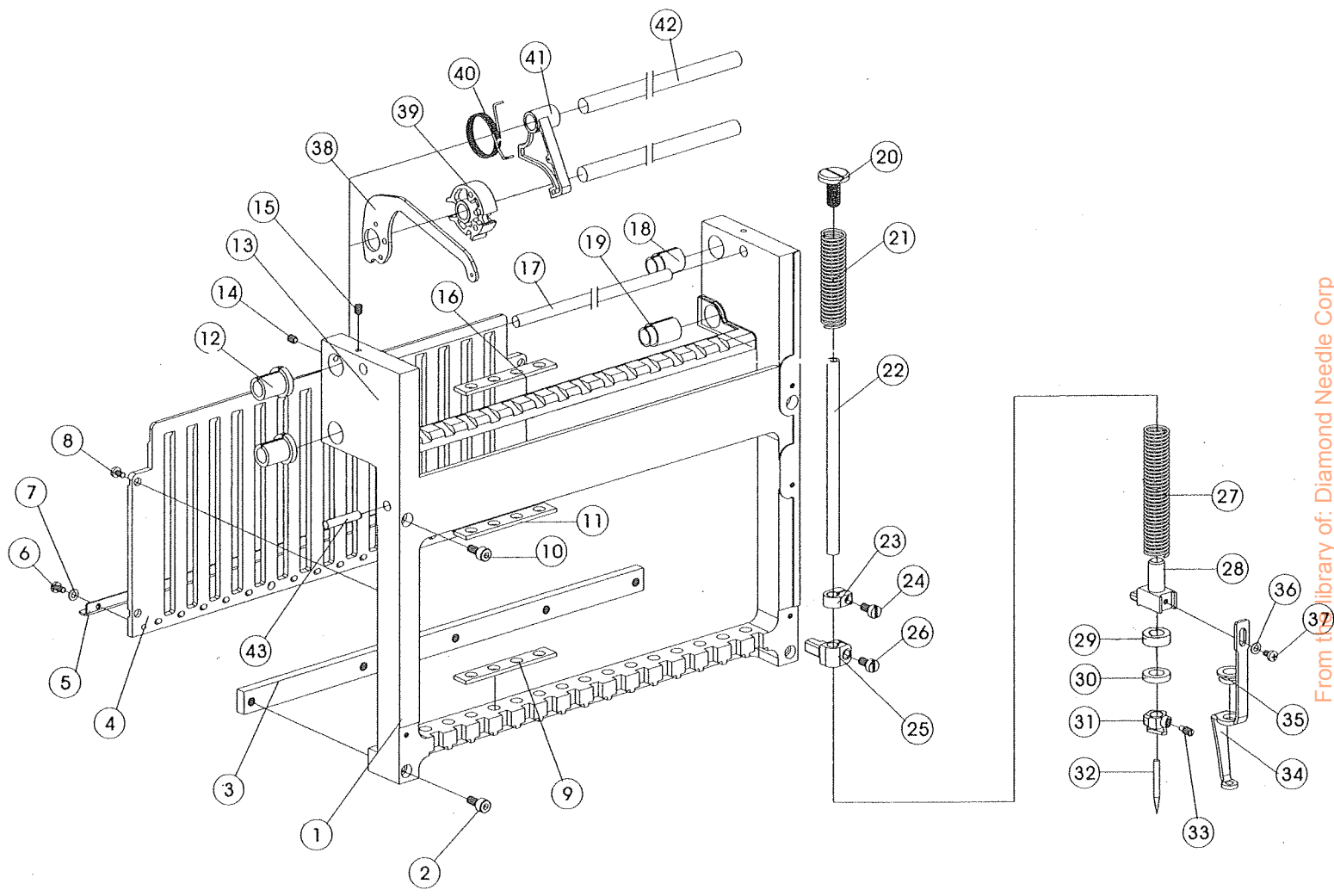
— UPPER SHAFT —

SN	Part No	Description	Note
①	KT-8128	Needle Bearing	
②	MD-0904	Bearing Base	
③	MD-0302	Cam	
④	GB/T78-1985	Screw	M6X6
⑤	MD-0929	Timing Plate	
⑥	GB/T78-1985	Screw	M5X5
⑦	MD-3003	Presser Foot Cam	
⑧	GB/T78-1985	Screw	M6X8
⑨	GB/T78-1985	Screw	M5X6
⑩	MD-0902	Upper Shaft	
⑪	MD-0920	Driven Pulley	
⑫	GB/T78-1985	Screw	M6X8
⑬	MD-0920-A	Timing Belt	
⑭	MD-0921		
⑮	GB97.1-1985	Plain Wahser	φ 4
⑯	GB/T93-1987	Spring Washer	φ 4
⑰	GB/T70.1--2000	Screw	M4X10
⑱	MD-0922	Cover Plate	
⑲	GB/T78-1985	Screw	M5X5
⑳	MD-0921-A	Bearing	
㉑	MD-0921-B	Bearing Bushing	

SN	Part No	Description	Note
㉒	GB/T78-1985	Screw	M5X6
㉓	GB/T78-1985	Screw	M6X8
㉔	GB/T70.1--2000	Screw	M4X8
㉕	GB/T93-1987	Spring Washer	φ 4
㉖	GB97.1-1985	Plain Wahser	φ 4
㉗	MD-0923	Sensor Base	
㉘	MD-0923-A	Sensor	
㉙	GB/T823-1988	Screw	M3X3
㉚	MD-0924	Bushing B	
㉛	MD-0903	Bushing A	
㉜	MD-0931	Disk	
㉝	GB/T823-1988	Screw	M4X6
㉞	GB/T78-1985	Screw	M5X6
㉟	MD-1608	Spiral Gear B	
㊱	MD-1604	Adjusting Set A	
㊲	GB/T819-2000	Screw	M4X6
㊳	MD-1602	Adjusting Shaft	
㊴	MD-1603	Adjuting Spring	
㊵	MD-1601	Adjust Knob	
㊶	MD-1607	Spiral Gear B	

From the library of: Diamond Needle Corp

NEEDLE BAR CAGE



From the library of: Diamond Needle Corp

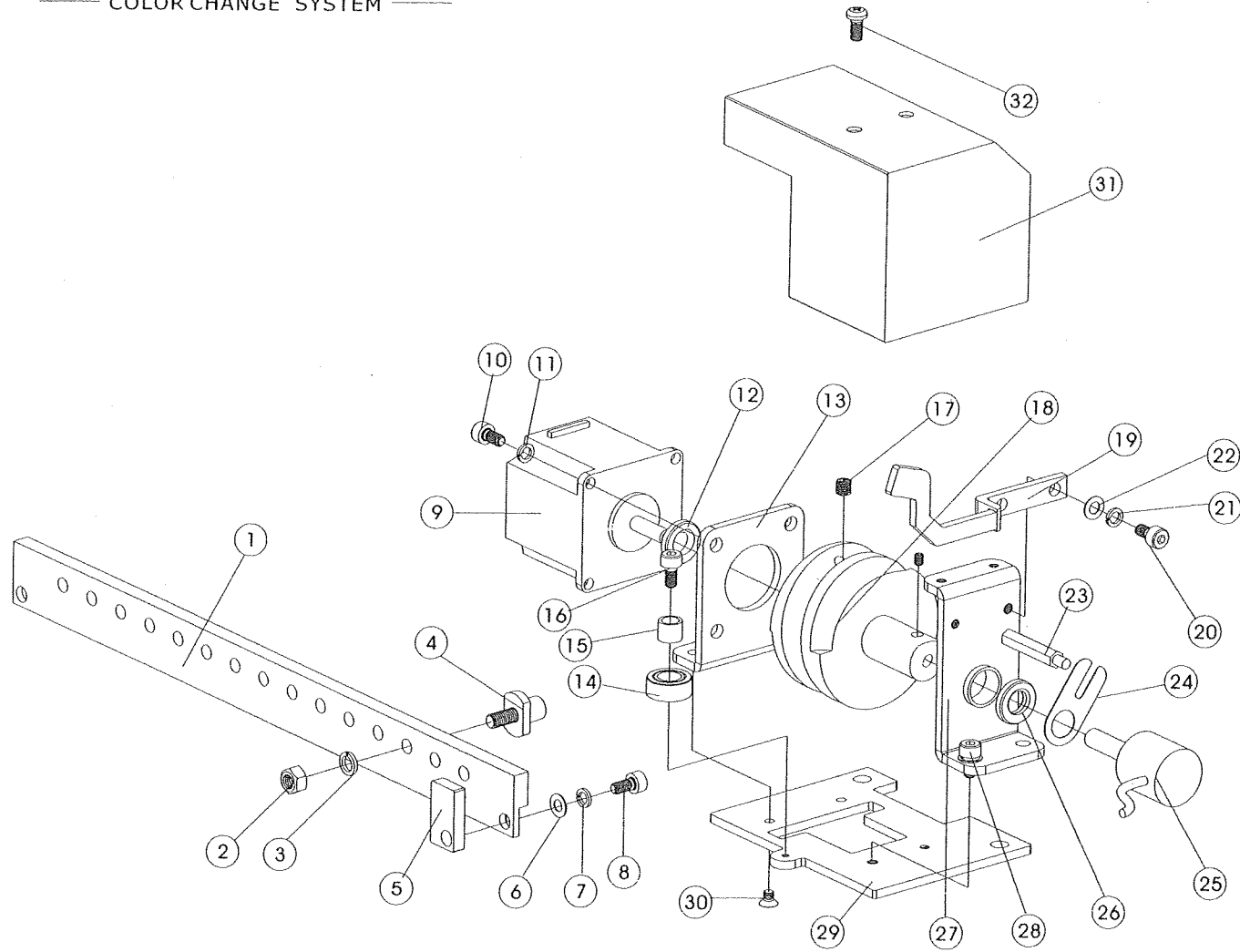
NEEDLE BAR CAGE

SN	Part No	Description	Note
①	MD--1101	Needle Bar Cage	
②	GB/T70.1--2000	Screw	M4X25
③	MD--1106	Lower Guide Rail	
④	MD--1104	Needle Bar Guide Plate	
⑤	MD--1105	Installation Plate	
⑥	GB/T70.1--2000	Screw	M3X10
⑦	GB/T93-1987	Spring Washer	3
⑧	GB/T70.1--2000	Screw	M3X8
⑨	MD-1109-D	Felt	
⑩	GB/T70.1--2000	Screw	M4X20
⑪	MD-1109-B	1MM Felt Packing	
⑫	MD--1116	C Ring C	
⑬	MD-1109-A	Needle Bar	
⑭	GB/T78-1985	Screw	M4X4
⑮	GB/T78-1985	Screw	M4X4
⑯	MD-1109-C	Felt	
⑰	MD--1118	Take-up Lever Guide Shaft	
⑱	MD--1116	C Ring C	
⑲	MD--1117	C Ring D	
⑳	MD--1102-A	Needle Bar Screw	M5X7
㉑	MD--1102-B	Needle Bar Holding Spring	

SN	Part No	Description	Note
㉒	MD--1102	Needle Bar	
㉓	MD--1102-D	Upper Dead Point	
㉔	MD--1102-E	Upper Dead Point Screw	
㉕	MD--1102-F	Lower Dead Point	
㉖	MD--1102-G	Lower Dead Point Screw	
㉗	MD--1107-A	Presser Foot Spring	
㉘	MD--1107	Presser Foot Spring Base	
㉙	MD--1107-B	O Ring A	
㉚	MD--1107-C	O Ring B	
㉛	MD--3005	Needle Clamp	
㉜	MD--3005-A	Needle	
㉝	MD--3005-B	Needle Clamp Screw	
㉞	MD--1103	Presser Foot	
㉟	MD--1103-A	Presser Foot Bushing	
㊱	GB/T93-1987	Spring Washer	3
㊲	GB/T823-1988	Screw	M3X6
㊳	MD--1111	Take-up Lever A	
㊴	MD--1112	Take-up Lever B	
㊵	MD--1113	Take-up Lever Spring	
㊶	MD--1114	Take-up Lever Block	
㊷	MD--1110	Take-up Lever Shaft	
㊸	MD-1109	Pin	

From the library of: Diamond Needle Corp

— COLOR CHANGE SYSTEM —



From the library of: Diamond Needle Corp

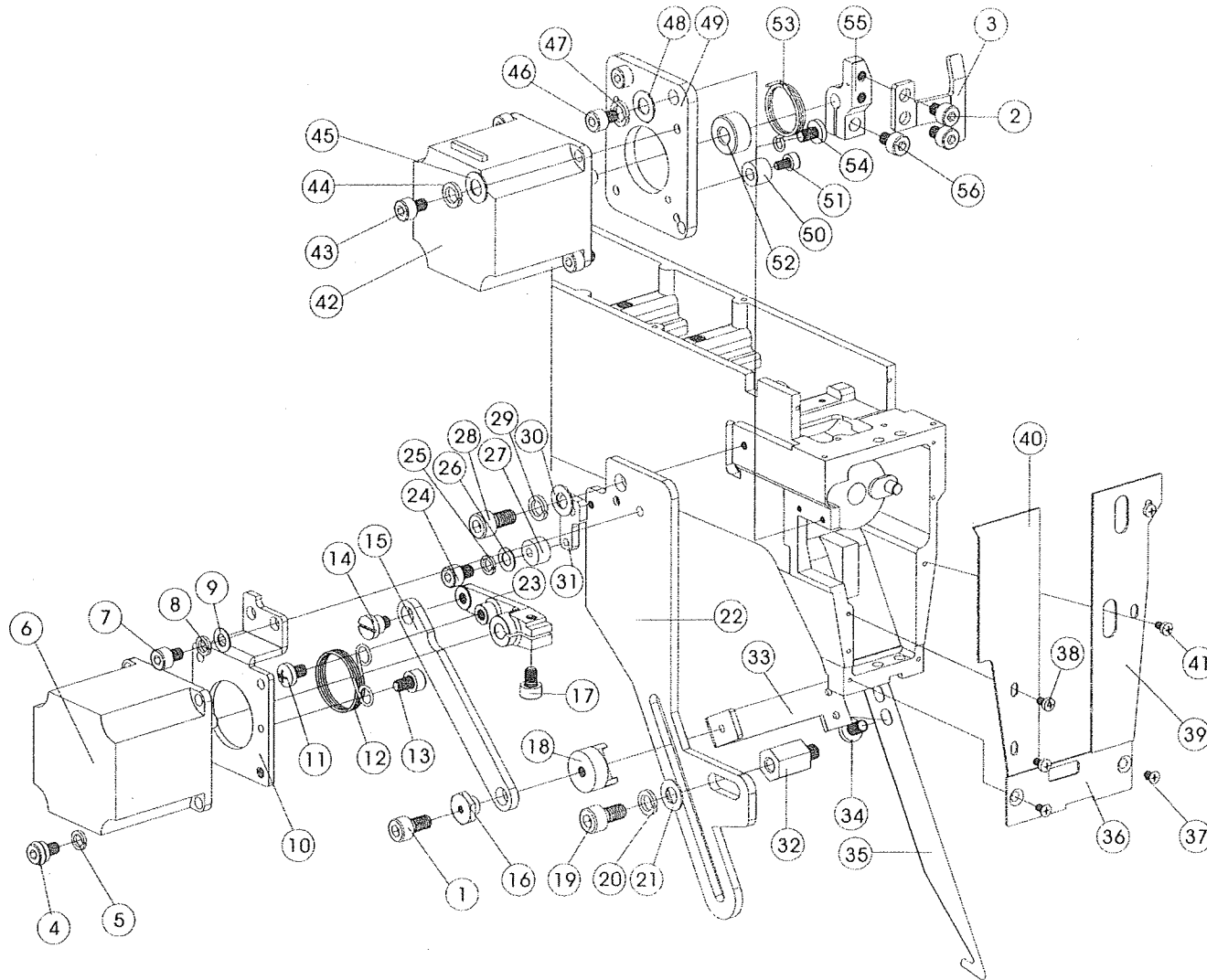
—— COLOR CHANGE SYSTEM ——

SN	Part No	Description	Note
①	MD-1010	Installation Plate	
②	GB/T41-2000	Nut	M5
③	GB/T93-1987	Spring Washer	φ 5
④	MD-1010-A	Color Change Pin	
⑤	MD-1011	Felt	
⑥	GB97.1-1985	Plain Washer	φ 5
⑦	GB/T93-1987	Spring Washer	φ 5
⑧	GB/T70.1--2000	Screw	M5X12
⑨	MD-1003-A	Stepping Motor	
⑩	GB/T70.1--2000	Screw	M4X12
⑪	GB/T93-1987	Spring Washer	φ 4
⑫	MD-1006	Nylon Washer	
⑬	MD-1003	Motor Base B	
⑭	MD-1004-A	Bearing	10089
⑮	MD-1004	Bearing Base	
⑯	GB/T70.1-2000	Screw	M4X12
⑰	GB/T78-1985	Screw	M4X4
⑱	MD-1007-A	Color change Cam	
⑲	MD-1007	Color Change Bracket	

SN	Part No	Description	Note
⑳	GB/T70.1--2000	Screw	M4X12
㉑	GB/T93-1987	Spring Wahser	φ 4
㉒	GB97.1-1985	Plain Washer	φ 4
㉓	MD-1008	Potentiometer Bracket A	
㉔	MD-1009	Potentiometer Bracket	
㉕	MD-1009-A	Potentiometer	
㉖	MD-1009-B	Nut	
㉗	MD-1001	Cam Bracket	
㉘	GB/T70.1--2000	Screw	M4X5
㉙	MD--1002	Motor Base B	
㉚	GB/T2672-1986	Screw	M4X5
㉛	MD--1012	Cover	
㉜	GB/T823-1988	Screw	M4X6

From the library of: Diamond Needle Corp

UPPER THREAD HOOK



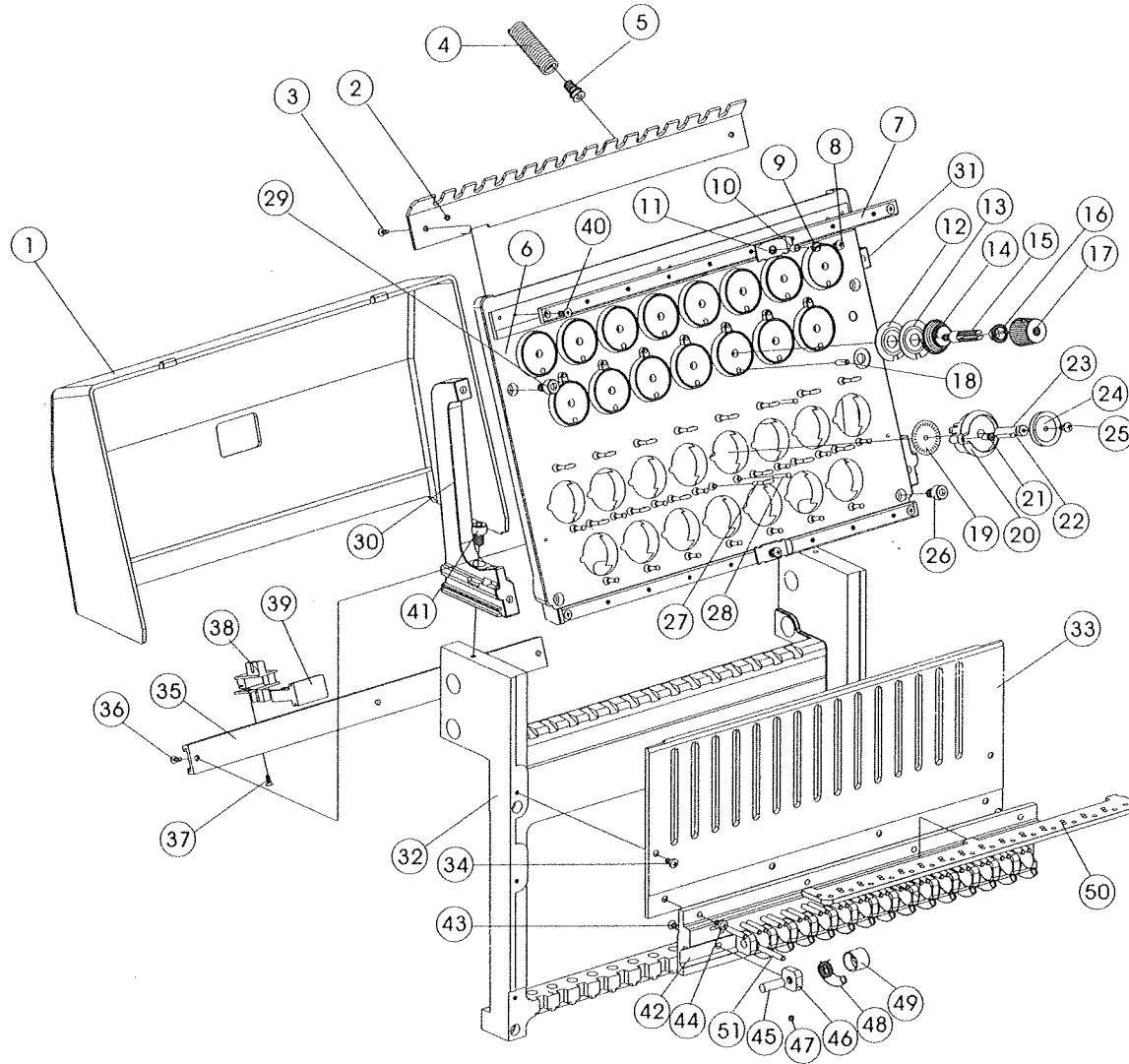
From the library of: Diamond Needle Corp

SN	Part No	Description	Note
①	GB/T70.1--2000	Screw	M3X15
②	GB/T70.1--2000	Screw	M4X6
③	MD-1304	Jump Solenoid Block	
④	GB/T70.1--2000	Screw	M4X10
⑤	GB/T93-1987	Spring Washer	φ 4
⑥	MD-1402 -A	Stepping Motor	
⑦	GB/T70.1--2000	Screw	M4X5
⑧	GB/T93-1987	Spring Washer	φ 4
⑨	GB97.1-1985	Plain Washer	φ 4
⑩	MD-1402	Hook Solenoid Base	
⑪	GB/T823-1988	Screw	M3X8
⑫	MD--1404	Spring	
⑬	GB/T823-1988	Screw	M3X6
⑭	MD-1425	Hook Drive Lever Pin	
⑮	MD-1406	Hook Drive Lever B	
⑯	MD-1412	Adjust Screw	
⑰	GB/T70.1--2000	Screw	M4X5
⑱	MD-1408	Felt	
⑲	GB/T70.1--2000	Screw	M5X8

SN	Part No	Description	Note
⑳	GB/T93-1987	Spring Washer	φ 5
㉑	GB97.1-1985	Plain Washer	φ 5
㉒	MD-1401	Hook Guide Plate	
㉓	MD-1405	Hook Drive Lever A	
㉔	GB/T70.1--2000	Screw	M3X8
㉕	GB/T93-1987	Spring Washer	φ 3
㉖	GB97.1-1985	Plain Washer	φ 3
㉗	MD--1407	Rubber Stopper	
㉘	GB/T70.1--2000	Screw	M4X8
㉙	GB/T93-1987	Spring Washer	φ 4
㉚	GB97.1-1985	Plain Washer	φ 4
㉛	MD-1403	Rubber Stopper Base	
㉜	MD-1410	Connector	
㉝	MD-1412	Hook Bracket	
㉞	GB/T823-1988	Screw	M3X3
㉟	MD-1411	Hook	
㊱	MD-0918	Arm Cover Front	
㊲	GB/T819-2000	Screw	M3X6
㊳	GB/T823-1988	Screw	M3X6

SN	Part No	Description	Note
㊴	MD-0916	Arm Cover Front R	
㊵	MD-0917	Arm Cover Front L	
㊶	GB/T823-1988	Screw	M3X6
㊷	MD-1301-A	Stepping Motor	
㊸	GB/T70.1--2000	Screw	M3X4
㊹	GB/T93-1987	Spring Washer	φ 3
㊺	GB97.1-1985	Plain Washer	φ 3
㊻	GB/T70.1--2000	Screw	M4X12
㊼	GB/T93-1987	Spring Washer	φ 4
㊽	GB97.1-1985	Plain Washer	φ 4
㊾	MD-1301	Jump Solenoid Base	
㊿	MD-0606 -A	Rubber Stopper	
51	GB/T70.1--2000	Screw	M3X10
52	MD-0606	Just Solenoid Felt	
53	MD-1303	Spring	
54	GB/T823-1988	Screw	M3X6
55	MD-1302	Connector Block	
56	GB/T70.1--2000	Screw	M3X10

— TENSION BASE —



From the library of: Diamond Needle Corp



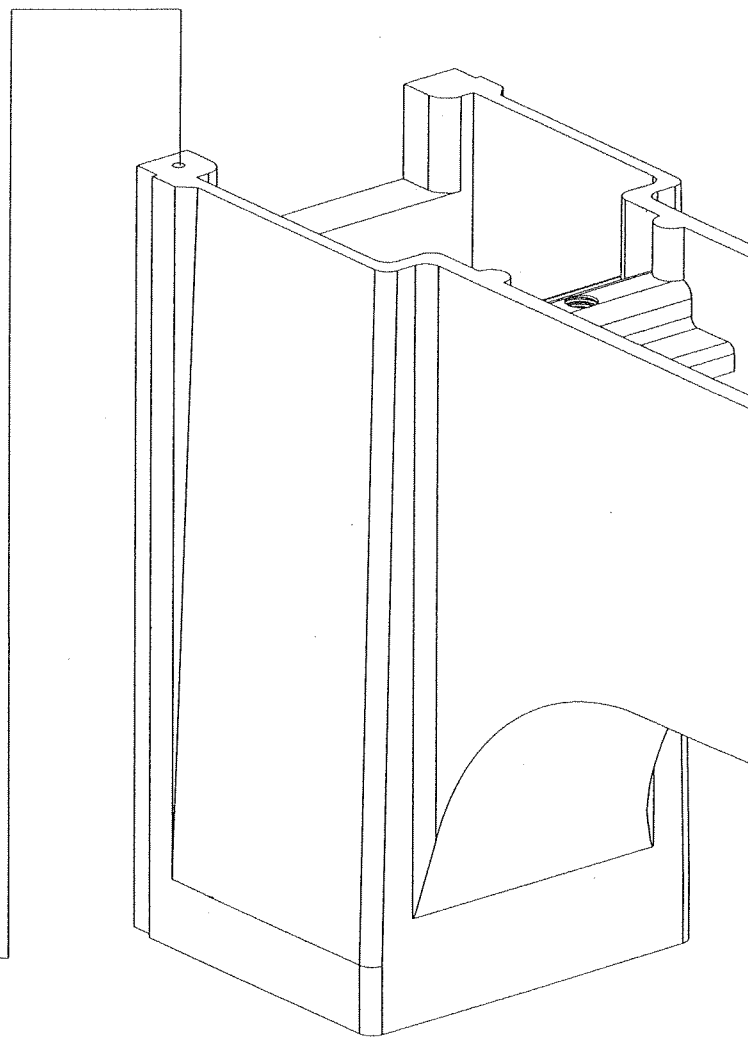
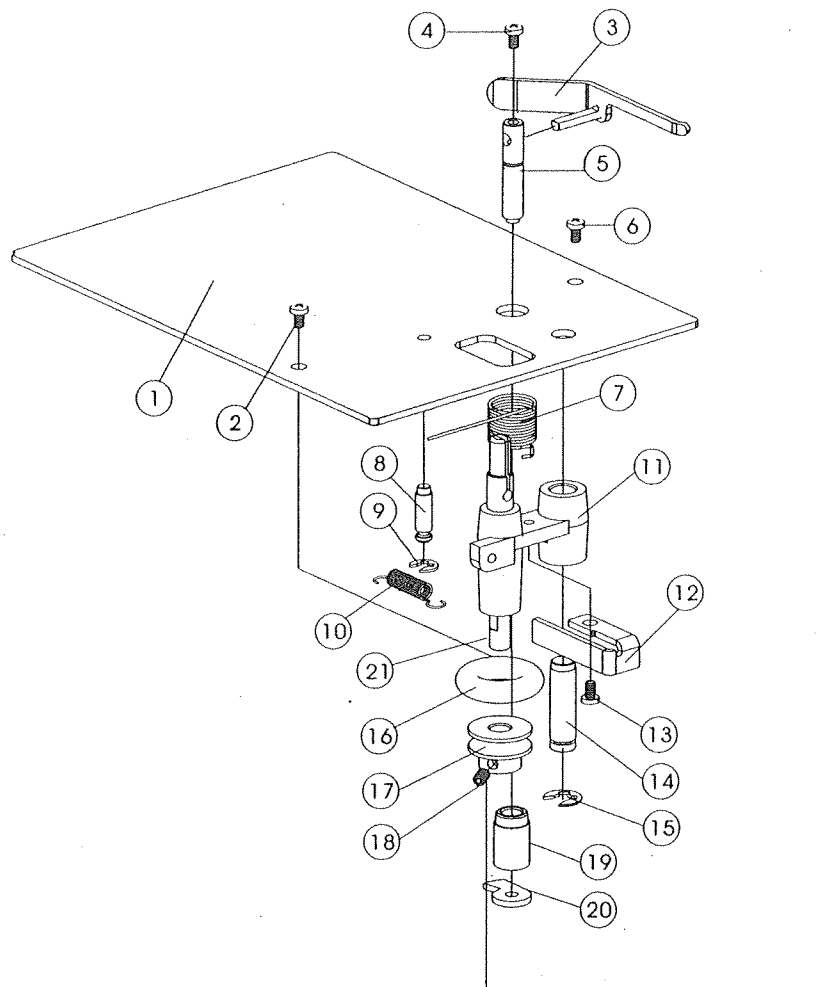
— TENSION BASE —

SN	Part No	Description	Note
①	MD-1211	Cover	
②	MD-1215	Upper Thread Base	
③	GB/T819-2000	Screw	M3X6
④	M-9366-A	Tube	
⑤	M-9366	Tube End	
⑥	MD-1201	Tension Base	
⑦	MD-1220	Upper Thread Guide Base	
⑧	GB/T937-1976	Screw	M3X6
⑨	MD-1218	First Tension Spring	
⑩	MD-1219	Pulley	
⑪	MD-1217	First Tension Plate	
⑫	MD-1221	Tension Disk	
⑬	MD-1221	Tension Disk	
⑭	MD-1212	Tension Spring	
⑮	MD-1213	Tension Stud	
⑯	MD-1223	Tension Spring Hook	
⑰	MD-1214	Tension Regulator	
⑱	MD-2309	Roller Pin	
⑲	MD-1208	Grating Plate	

SN	Part No	Description	Note
⑳	MD-1207	Thread Roller Base	
㉑	MD-1225	Roller Pin	
㉒	MD-1226	Roller Pin Shaft	
㉓	MD-1204	Shaft	
㉔	MD-1203	Roller Disk	
㉕	GB/T937-1976	Screw	M3X6
㉖	GB/T70-1985	Screw	M4X16
㉗	MD-1202	Thread Guide Pin	
㉘	MD-1226	Roller Shaft	
㉙	GB/T70-1985	Screw	M4X16
㉚	MD-1210	Support (L)	
㉛	MD-1209	Support (R)	
㉜	MD-1101	Needle Bar Cage	
㉝	MD-1224	Cover	
㉞	GB/T937-1976	Screw	M3X8
㉟	MD-1205	Color Change Guide Rail	
㊱	GB/T819-2000	Screw	M3X6
㊲	GB/T937-1976	Screw	M3X8
㊳	MD-1206-A	Thread Breakage Detector	

SN	Part No	Description	Note
㊴	MD-1206	Detector Base	
㊵	GB/T819-2000	Screw	M3X6
㊶	GB/T70-1985	Screw	M4X12
㊷	MD-3206	Middle Thread Guide Base	
㊸	GB/T2672-1986	Screw	M3X4
㊹	GB/T823-1988	Screw	M3X4
㊺	MD--3202	Pin	
㊻	MD--3201	Pin Base	
㊼	GB/T78-1985	Screw	M3X4
㊽	MD-3204	Take-up Spring	
㊾	MD-3203	Take-up Spring Holder	
㊿	MD-3207	Middle Thread Guide	
①	MD-3205	Roller Pin	

— BOBBIN WINDER —



From the library of: Diamond Needle Corp

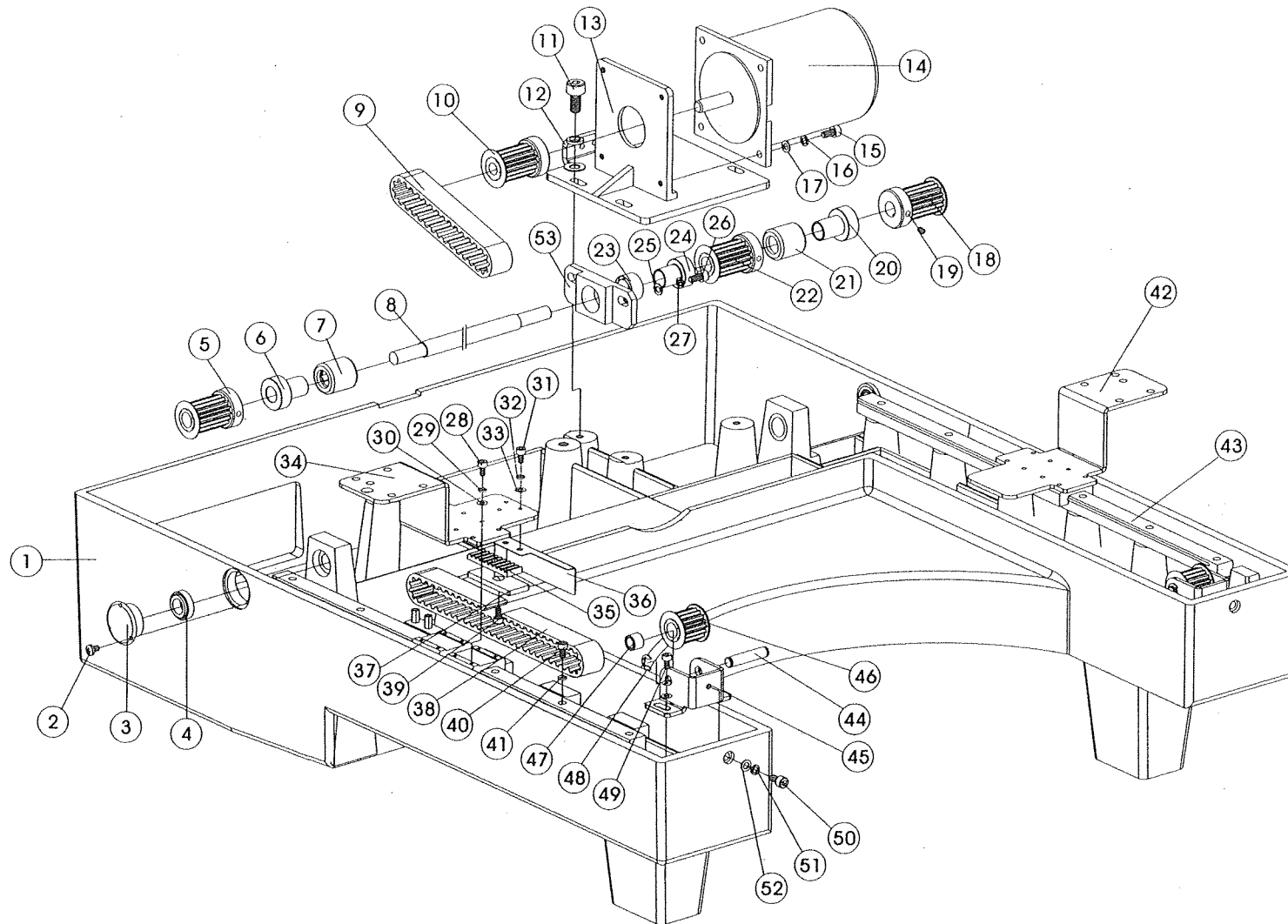
— BOBBIN WINDER —

SN	Part No	Description	Note
①	MD-1709	Base Plate	
②	GB/T823-1988	Screw	M4X6
③	MD-1711	Handle Set	
④	GB/T819-2000	Screw	M4X6
⑤	MD-1715	Bobbin Holder Set E	
⑥	GB/T823-1988	Screw	M4X6
⑦	MD-1705	Spring	
⑧	MD-1706	Bobbin Shaft B	
⑨	GB/T896-1986	Stopper	φ 8
⑩	MD-1702	Spring	
⑪	MD-1701	Bobbin Holder Base	
⑫	MD-1713	Bobbin Holder Set C	
⑬	GB/T70.1--2000	Screw	M4X8
⑭	MD-1708	Bobbin Shaft A	
⑮	GB/T896-1986	Stopper	φ 8
⑯	MD-1703	Rubber Felt	
⑰	MD-1714	Bobbin Holder Set D	
⑱	GB/T78-1985	Screw	M4X5
⑲	MD-1707	Bushing	

SN	Part No	Description	Note
⑳	MD-1710	Bobbin Holder Set A	
㉑	MD-1704	Bobbin Holder Shaft	

From the library of: Diamond Needle Corp

BASE



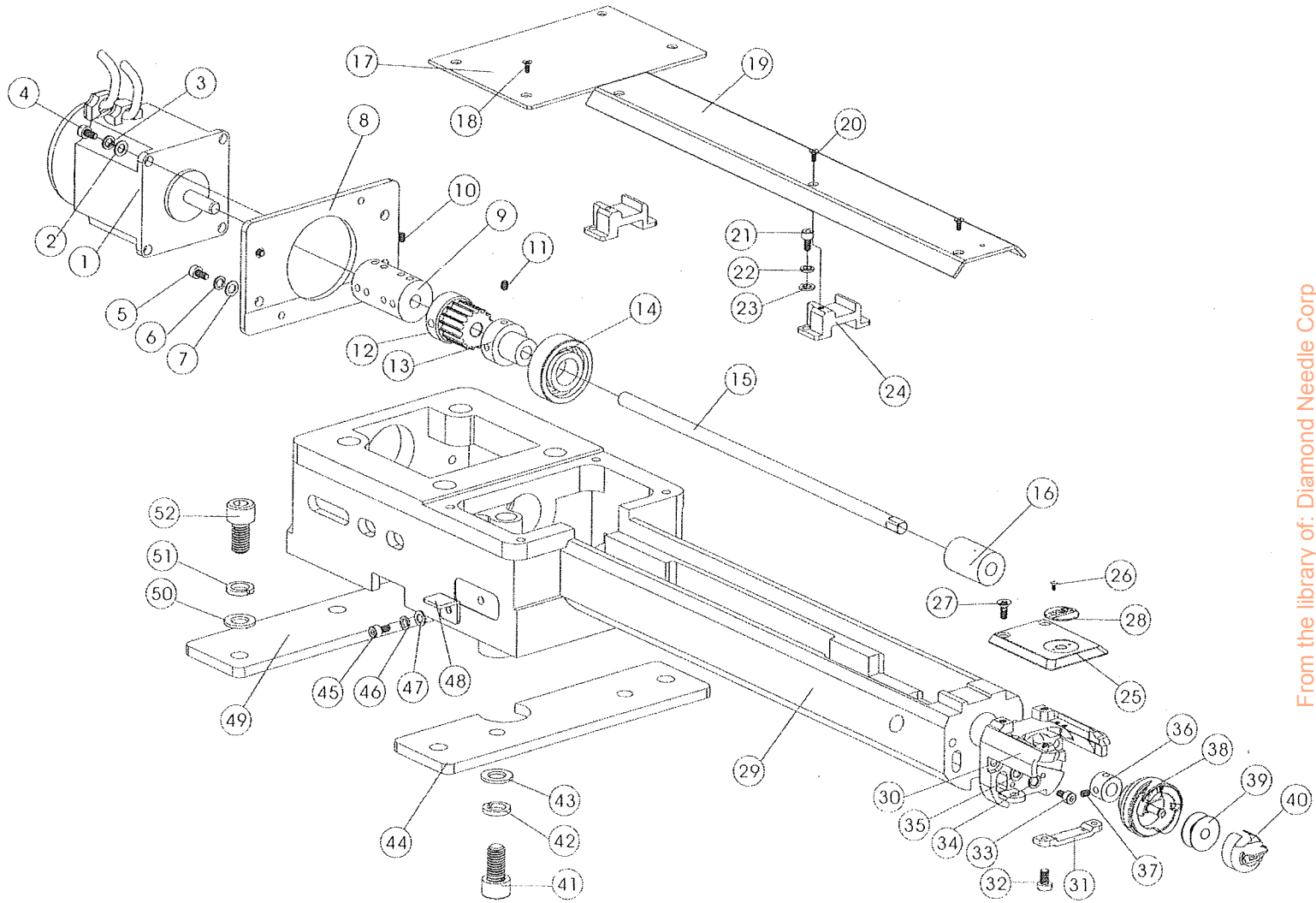
From the library of: Diamond Needle Corp

SN	Part No	Description	Note
①	MD-0101	Base	
②	GB/T823-1988	Screw	M3X8
③	MD-0216	Y Bearing Base	
④	MD-0216 -A	Bearing	61800
⑤	MD-0202	Y Driving Pulley	
⑥	MD-0210	Y Bearing	
⑦	NK1521	Needle Bearing	
⑧	MD-0203	Y Driving Pulley Shaft	
⑨	T5-300-20	Y Timing Belt	
⑩	MD-0202	Y Driving Pulley	
⑪	GB/T70.1-2000	Screw	M6X20
⑫	GB/T93-1987	Spring Washer	φ 6
⑬	MD-0201	Y Motor Base	
⑭	MD-0201-A	Stepping Motor	
⑮	GB/T70.1-2000	Screw	M5X10
⑯	GB/T93-1987	Spring Washer	φ 5
⑰	GB97.1-1985	Plain Washer	φ 5
⑱	MD-0202	Y Driving Pulley	
⑲	GB/T78-1985	Screw	M5X6

SN	Part No	Description	Note
⑳	MD-0210	Y Bearing Bushing	
㉑	NK1521	Needle Bearing	
㉒	MD-0202	Y Driving Pulley	
㉓	NK1521	Needle Bearing	
㉔	MD-0210	Y Bearing Bushing	
㉕	GB97.1-1985	Plain Washer	φ 5
㉖	GB/T70.1-2000	Screw	M5X12
㉗	GB/T93-1987	Spring Washer	φ 5
㉘	GB/T70.1-2000	Screw	M3X10
㉙	GB/T93-1987	Spring Washer	φ 3
㉚	GB97.1-1985	Plain Washer	φ 3
㉛	GB/T70.1-2000	Screw	M4X8
㉜	GB/T93-1987	Spring Washer	φ 4
㉝	GB97.1-1985	Plain Washer	φ 4
㉞	MD-0206	Y Connection Plate	
㉟	MD-0303	Y Timing Plate	
㊱	MD-0212	Limit Switch Toucher	
㊲	MD-0213	Felt	
㊳	T5	Y Timing Belt	

SN	Part No	Description	Note
㊴	GB/T70.1-2000	Screw	M4X16
㊵	GB/T70.1-2000	Screw	M3X12
㊶	GB/T93-1987	Spring Washer	φ 3
㊷	MD-0207	Y Connection Plate	
㊸	MD-0207-A	Y Guide Rail	
㊹	MD-0209	Y Timing Shaft	
㊺	MD-0208	Y Adjusting Base	
㊻	MD-0205	Y Driven Pulley	
㊼	HK0808	Needle Bearing	
㊽	GB/T896-1986	Stopper	φ 8
㊾	GB/T70.1-2000	Screw	M5X12
㊿	GB/T70.1-2000	Screw	M5X30
①	GB/T93-1987	Spring Washer	φ 5
②	GB97.1-1985	Plain Washer	φ 5

HOOK BASE



From the library of: Diamond Needle Corp

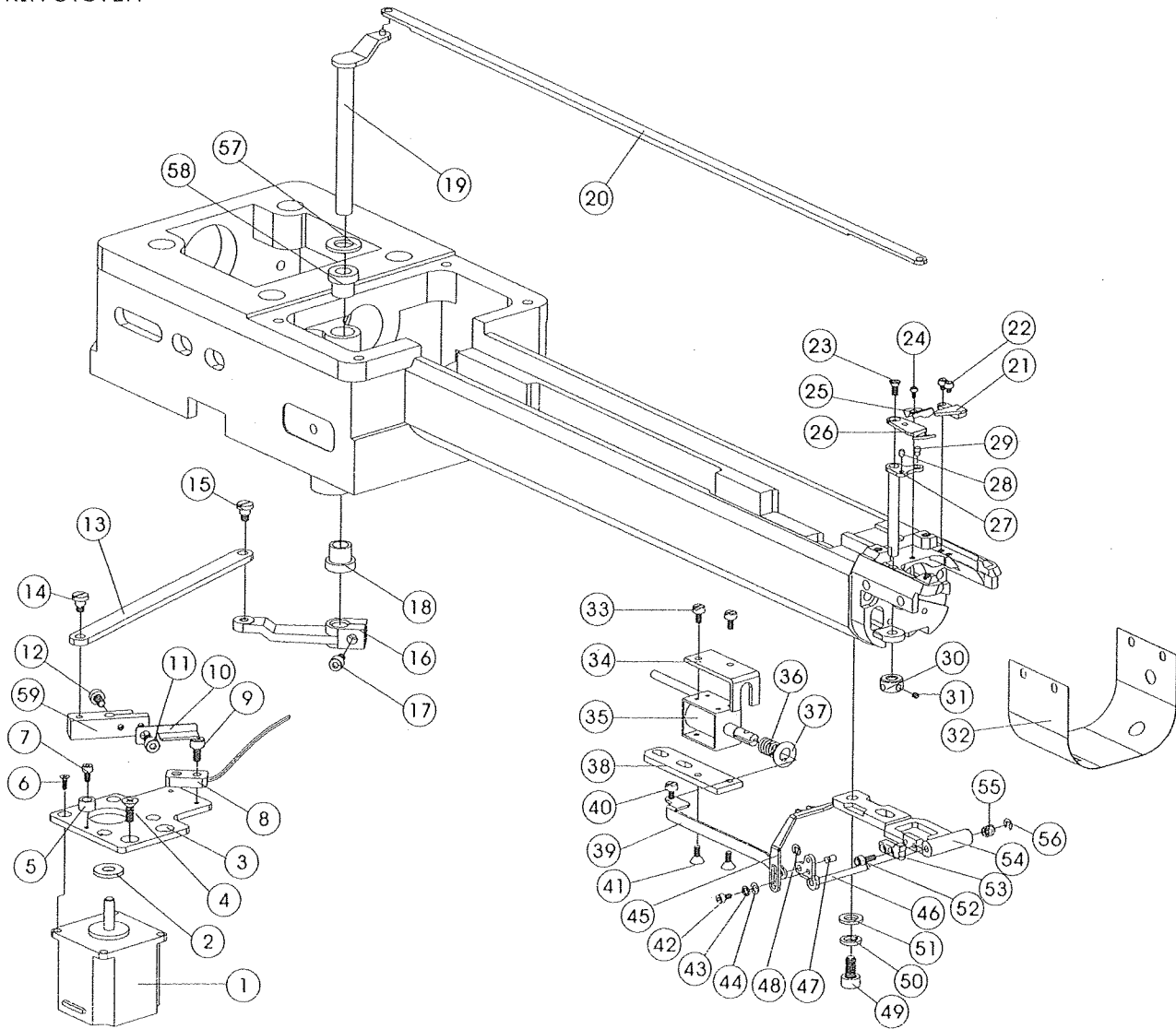
HOOK BASE

SN	Part No	Description	Note
①	MD-0801-A	Servo Motor	
②	GB97.1-1985	Plain Washer	φ 5
③	GB/T93-1987	Spring Washer	φ 5
④	GB/T70.1--2000	Screw	M5X12
⑤	GB/T70.1--2000	Screw	M5X14
⑥	GB/T93-1987	Spring Washer	φ 5
⑦	GB97.1-1985	Plain Washer	φ 5
⑧	MD-0801	Servo Motor Base	
⑨	MD-0308	Shaft Bushing	
⑩	GB/T78-1985	Screw	M5X6
⑪	GB/T78-1985	Screw	M5X6
⑫	MD-0804	Diring Pulley	
⑬	MD-0805	Bearing Bushing	
⑭	MD-0805-A	Bearing	6201Z
⑮	MD-0802	Lower Main Shaft	
⑯	MD-0802-A	Shaft Bushing	
⑰	MD-2805	Cover	
⑱	GB/T819-2000	Screw	M4X6
⑲	MD--2804	Upper Cover	

SN	Part No	Description	Note
⑳	GB/T819-2000	Screw	M4X6
㉑	GB/T70.1--2000	Screw	M4X10
㉒	GB/T93-1987	Spring Washer	φ 4
㉓	GB97.1-1985	Plain Washer	φ 4
㉔	MD-2803	Upper cover Base	
㉕	MD-0405	Needle Plate B	
㉖	GB/T823-1988	Screw	M2X5
㉗	MD-0405-SA	Screw	6/11
㉘	MD-0404	Needle Plate A	
㉙	MD-2802	Rotary Hook Base	
㉚	MD-0401	Needle Plate Base	
㉛	MD-0406	Rotary Hook Support	
㉜	GB/T70.1--2000	Screw	M4X8
㉝	GB/T70.1--2000	Screw	M4X18
㉞	GB/T93-1987	Spring Washer	φ 4
㉟	GB97.1-1985	Plain Washer	φ 4
㊱	MD-2802-A	Stopper	
㊲	GB/T78-1985	Screw	M4X5
㊳	MH-0406-K	Rotary Hook	

SN	Part No	Description	Note
㊴	MB-0701-B MB-0701-P	Bobbin Bobbin (Prewound)	
㊵	MB-0701-5E	Bobbin Case	
㊶	GB/T70.1--2000	Screw	M8X30
㊷	GB/T93-1987	Spring Washer	φ 8
㊸	GB97.1-1985	Plain Washer	φ 8
㊹	MD-0104	Base B	
㊺	GB/T70.1--2000	Screw	M4X8
㊻	GB/T93-1987	Spring Washer	φ 4
㊼	GB97.1-1985	Plain Washer	φ 4
㊽	MD-2806	Bracket	
㊾	MD-0103	Base A	
㊿	GB97.1-1985	Plain Washer	φ 8
①	GB/T93-1987	Spring Washer	φ 8
②	GB/T70.1--2000	Screw	M8X30

TRIM SYSTEM



From the library of: Diamond Needle Corp



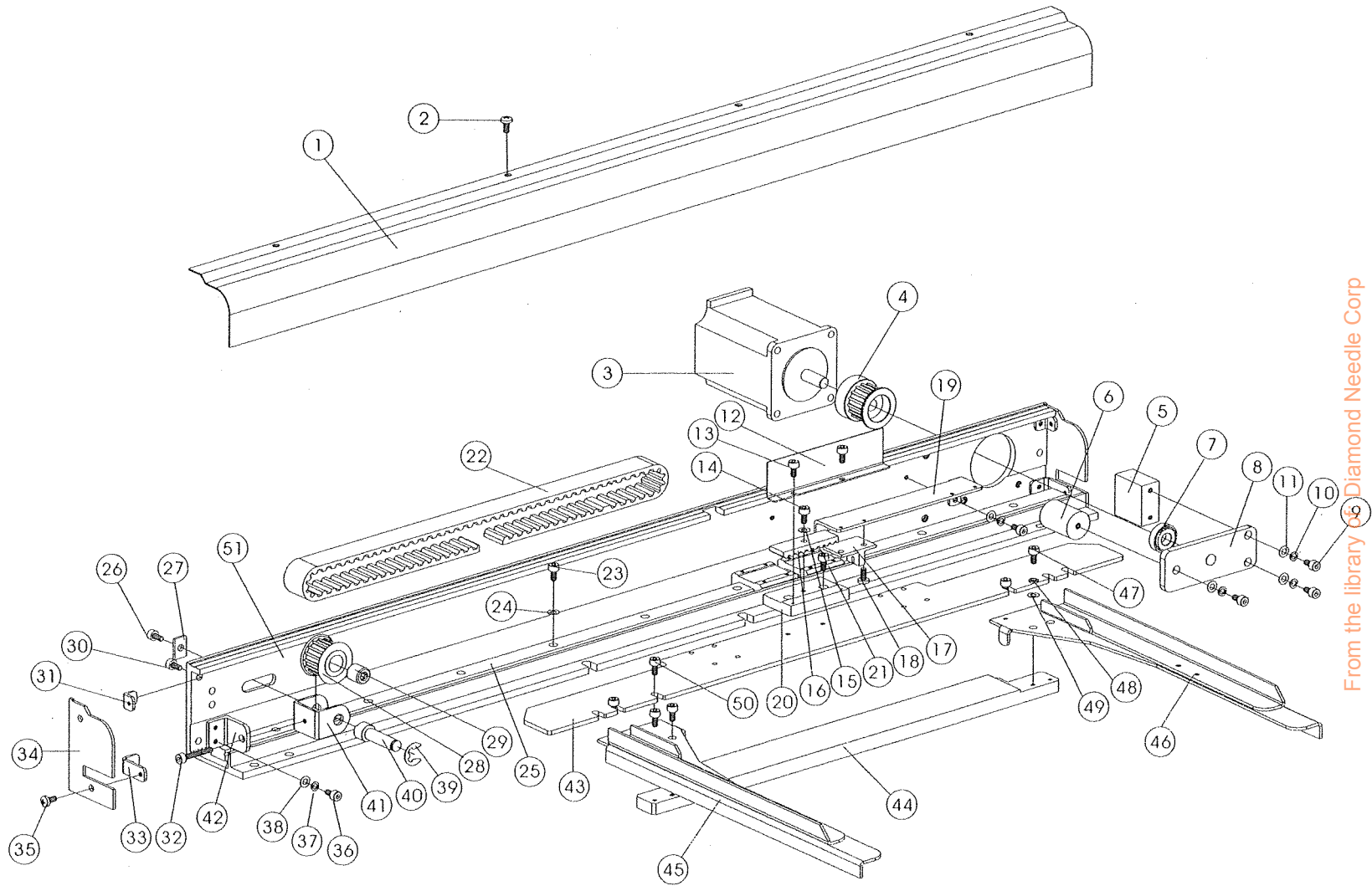
SN	Part No	Description	Note
①	MD-0501-A	Stepping Motor	
②	MD-0505	Washer	
③	MD-0501	Motor Base	
④	GB/T819-2000	Screw	M5X6
⑤	MD-1407	O Ring	
⑥	GB/T819-2000	Screw	M3X6
⑦	GB/T70.1-2000	Screw	M3X10
⑧	MD-0504-A	Sensor	
⑨	GB/T70.1-2000	Screw	M3X6
⑩	MD-0504	Sensor Switch	
⑪	GB/T70.1-2000	Screw	M4X12
⑫	GB/T70.1-2000	Screw	M4X12
⑬	MD-0506	Trim Connection Lever	
⑭	MD-0507	Pin	
⑮	MD-0507	Pin	
⑯	MD-0502	Trim Driver Lever	
⑰	GB/T70.1-2000	Screw	M4X10
⑱	MD-0502-B	C Ring B	
⑲	MD-06	Trimmer Driver Shaft	

SN	Part No	Description	Note
⑳	MD-0403	Trimmer Connection Plate	
㉑	MD-0407-A	Fixed Knife	
㉒	GB/T70.1-2000	Screw	M3X6
㉓	GB/T819-2000	Screw	M4X6
㉔	GB/T823-1988	Screw	M6X6
㉕	MD-0407-C	Under Thread Holder	
㉖	MD-0407-B	Moveable Knife	
㉗	MD-0407	Moveable Knife Base	
㉘	MD-0409-A	Position Pin	
㉙	MD-0409	Moveable Knife Pin	
㉚	MD-0408	Stopper	
㉛	GB/T78-1985	Screw	M3X3
㉜	MD-0402	Knife Base Cover	
㉝	GB/T70.1-2000	Screw	M3X3
㉞	MD-0702	Picker Solenoid Bracket	
㉟	MD-0703-A	Picker Solenoid	
㊱	MD-0703-B	Picker Solenoid Spring	
㊲	MD-0703-C	Felt	
㊳	MD-0703	Picker Solenoid Base	
㊴	MD-0704	Picker Solenoid Lever	

SN	Part No	Description	Note
④①	GB/T78-1985	Screw	M3X8
④②	GB/T819-2000	Screw	M3X4
④③	GB/T70.1-2000	Screw	M3X30
④④	GB/T93-1987	Spring Washer	φ 3
④⑤	GB97.1-1985	Plain Washer	φ 3
④⑥	MD--0709	Picker	
④⑦	MD--0706	Picker Sshift Set	
④⑧	MD-0708	Pin	
④⑨	MD-0708-A	Stopper	φ 3
④⑩	GB/T70.1-2000	Screw	M5X12
④⑪	GB/T93-1987	Spring Washer	φ 5
④⑫	GB97.1-1985	Plain Washer	φ 5
④⑬	GB/T70.1-2000	Screw	M3X8
④⑭	GB/T896-1986	Stopper	φ 3
④⑮	MD-0701	Picker Base	
④⑯	MD-0701-A	Pick Spring	
④⑰	GB/T896-1986	Stopper	φ 3
④⑱	MD-0604	Felt	
④⑲	MD-0604-A	C Ring A	
④⑳	MD--0503	Senser Switch Base	

From the library of: Diamond Needle Corp

X DRIVE



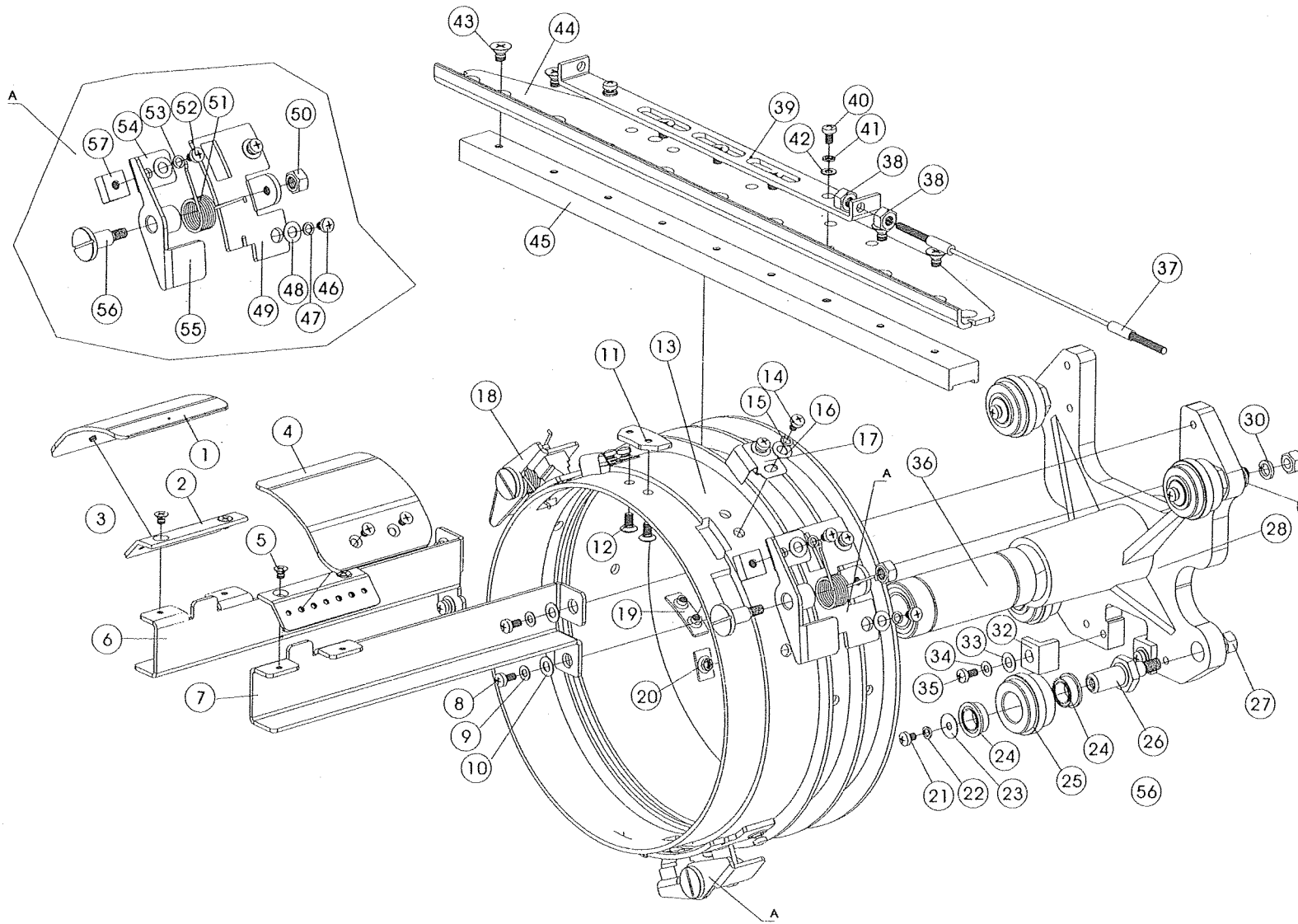
From the library of Diamond Needle Corp

SN	Part No	Description	Note
①	MD--0311	X Drive Cover	
②	GB/T823-1988	Screw	M4X6
③	MD--0305-A	Stepping Motor	
④	MD--0305	X Driving Pulley B	
⑤	MD--0321	X Driving Pulley B Block	
⑥	MD--0320	X Driving Pulley B Bushing	
⑦	MD--0317-A	Bearing	
⑧	MD--0317	X Driving Pulley B Base	
⑨	GB/T70.1--2000	Screw	M5X10
⑩	GB/T93-1987	Spring Washer	φ 5
⑪	GB97.1-1985	Plain Washer	φ 5
⑫	MD--0316	X Angle Bar	
⑬	GB/T70.1--2000	Screw	M3X6
⑭	GB/T70.1--2000	Screw	M4X16
⑮	GB/T93-1987	Spring Washer	φ 4
⑯	MD--0303	X Timing Belt Plate	
⑰	MD--0303-A	X Sensor	
⑱	GB/T823-1988	Screw	M3X3
⑲	MD--0310	X Sensor Base	

SN	Part No	Description	Note
⑳	MD--0304	X Angle Bar Base	
㉑	GB/T70.1--2000	Screw	M4X16
㉒	MD--0305-B	X Timing Belt	
㉓	GB/T70.1--2000	Screw	M3X6
㉔	GB/T93-1987	Spring Washer	φ 3
㉕	MD--0310-A	X Guide Rail	
㉖	GB/T70.1--2000	Screw	M4X6
㉗	MD--0306-F	X Driven Pulley Felt	
㉘	MD--0306	X Driven Pulley	
㉙	HK0808	Needle Bearing	
㉚	GB/T70.1--2000	Screw	M4X6
㉛	MD--0312	X Drive Support	
㉜	GB/T70.1--2000	Screw	M5X40
㉝	MD--0314	X Drive Support B	
㉞	MD--0313	X Drive Cover	
㉟	GB/T823-1988	Screw	M4X6
㊱	GB/T70.1--2000	Screw	M4X8
㊲	GB/T93-1987	Spring Washer	φ 4
㊳	GB97.1-1985	Plain Washer	φ 4

SN	Part No	Description	Note
㊴	GB/T896-1986	Stopper	φ 8
㊵	MD--0307	X Driven Pulley Shaft	
㊶	MD--0308	X Tensioner Base	
㊷	MD--0309	X Tension Base A	
㊸	MD--0302	X Drive Base	
㊹	MD--2211	Tubular Bracker Base	
㊺	MD--2101	Tubular Bracker Set L	
㊻	MD--2102	Tubular Bracket Set R	
㊼	GB/T70.1--2000	Screw	M4X10
㊽	GB/T93-1987	Spring Washer	φ 4
㊾	GB97.1-1985	Plain Washer	φ 4
㊿	GB/T70.1--2000	Screw	M4X8
1	MD--0301	X Drive Base B	

— CAP FRAME BASE —



From the library of Harmon Needle Corp

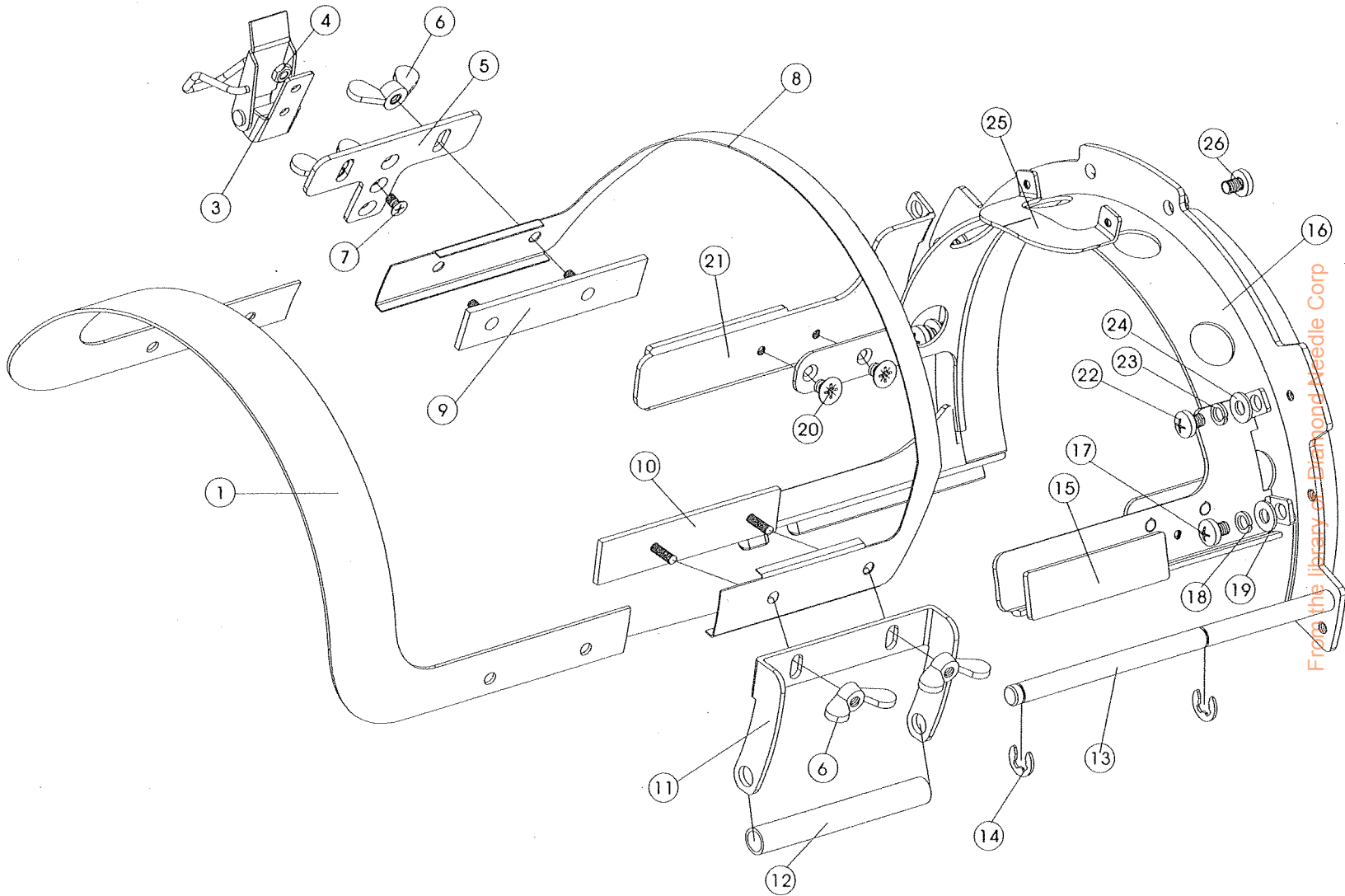
SN	Part No	Description	Note
①	MK-0015	Cap Support	
②	MK-0014	Cap Support Connector	
③	GB/T819-2000	Screw	M3X4
④	MK-0015	Cap Support	
⑤	GB/T819-2000	Screw	M3X4
⑥	MK-0011	Cap Support Base (L)	
⑦	MK-0012	Cap Support Base (R)	
⑧	GB/T937-1976	Screw	M4X10
⑨	GB/T93-1987	Spring Washer	
⑩	GB97.1-1985	Plain Washer	
⑪	MK-0003	Cap Frame Positioner	
⑫	GB/T819-2000	Screw	M3X4
⑬	MK-0001	Cap Frame Base	
⑭	GB/T937-1976	Screw	M3X5
⑮	GB/T93-1987	Spring Washer	
⑯	GB97.1-1985	Plain Washer	
⑰	MK-0016	Spring Plate	
⑱	MK-01	Clip Set	
⑲	MK-0005	Nut Plate	

SN	Part No	Description	Note
⑳	MK-0004	Nut Plate	
㉑	GB/T937-1976	Screw	M4X6
㉒	GB/T93-1987	Spring Washer	
㉓	GB97.1-1985	Plain Washer	
㉔	MK-0006-B	Bearing	MF128ZZ
㉕	MK-0006	Roller	
㉖	MK-0007	Roller Shaft	
㉗	GB/T41-2000	Nut	M5
㉘	MK-0010	Roller Base	
㉙	GB/T41-2000	Nut	M5
㉚	GB/T93-1987	Spring Washer	
㉛	GB97.1-1985	Plain Washer	
㉜	MK-0036	Washer	
㉝	GB/T937-1976	Screw	M4X10
㉞	GB/T93-1987	Spring Washer	
㉟	GB97.1-1985	Plain Washer	
㊱	MK-06-B	Bearing	13LUU
㊲	MK-06	Driving Wire Set	
㊳	GB/T41-2000	Nut	M3

SN	Part No	Description	Note
㊴	MK-0032	Wire Tension Plate	
㊵	GB/T937-1976	Screw	M4X12
㊶	GB/T93-1987	Spring Washer	
㊷	GB97.1-1985	Plain Washer	
㊸	GB/T819-2000	Screw	M4X8
㊹	MK-0029	Wire Base	
㊺	MK-0034	Guide Rail	
㊻	GB/T937-1976	Screw	M4X6
㊼	GB/T93-1987	Spring Washer	
㊽	GB97.1-1985	Plain Washer	
㊾	MK-0203	Clip Plate (Base)	
㊿	GB/T41-2000	Nut	M4
①	MK-0202	Spring	
②	GB/T937-1976	Screw	M4X6
③	GB/T93-1987	Spring Washer	
④	GB97.1-1985	Plain Washer	
⑤	MK-0201	Spring Base	
⑥	MK-0104	Screw	
⑦	MK-0101	Stopper	

From the library of: Diamond Needle Corp

— CAP FRAME (A) —



From the library of Diamond Needle Corp

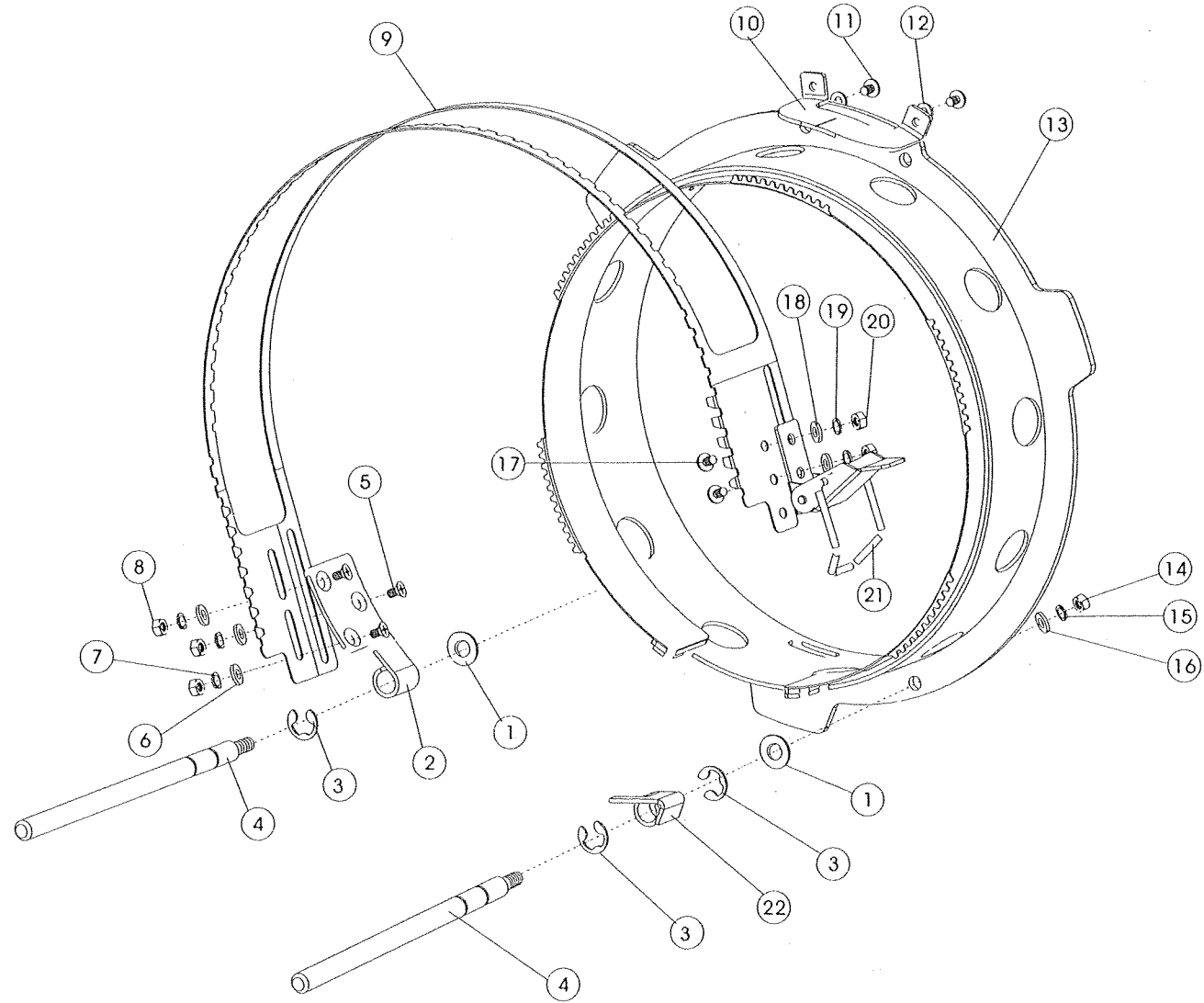
———— CAP FRAME (A) ————

SN	Part No	Description	Note
①	MK-0304		
②	MK-0024	Aux. Cap Holder	
③	MK-0303	Clip Set	
④	GB/T41-2000	Nut	M3
⑤	MK-0021	Clip Base	
⑥	GB/62-1988	Nut	
⑦	GB/T819-2000	Screw	M3X6
⑧	MK-0025	Cap Holder	
⑨	MK-05	Clip Base	
⑩	MK-05	Clip Holder Base	
⑪	MK-0027	Cap Holder Roller Base	
⑫	MK-0026	Aluminum Pipe	
⑬	MK-0402	Shaft	
⑭	GB/T896-1986	Washer	φ 5
⑮	MK-0022	Rubber Felt	
⑯	MK-0404	Cap Frame	
⑰	GB/T937-1976	Screw	M4X6
⑱	GB/T93-1987	Spring Washer	φ 4
⑲	GB97.1-1985	Plain Washer	φ 4

SN	Part No	Description	Note
⑳	GB/T819-2000	Screw	M3X4
㉑	MK-0020	Foot (L)	
㉒	GB/T937-1976	Screw	M4X6
㉓	GB/T93-1987	Spring Washer	
㉔	GB97.1-1985	Plain Washer	
㉕	MK-0018	Cap Position Indicator	
㉖	GB/T937-1976	Screw	M3X4

From the library of: Diamond Needle Corp

— CAP FRAME (B) —



From the library of: Diamond Needle Corp

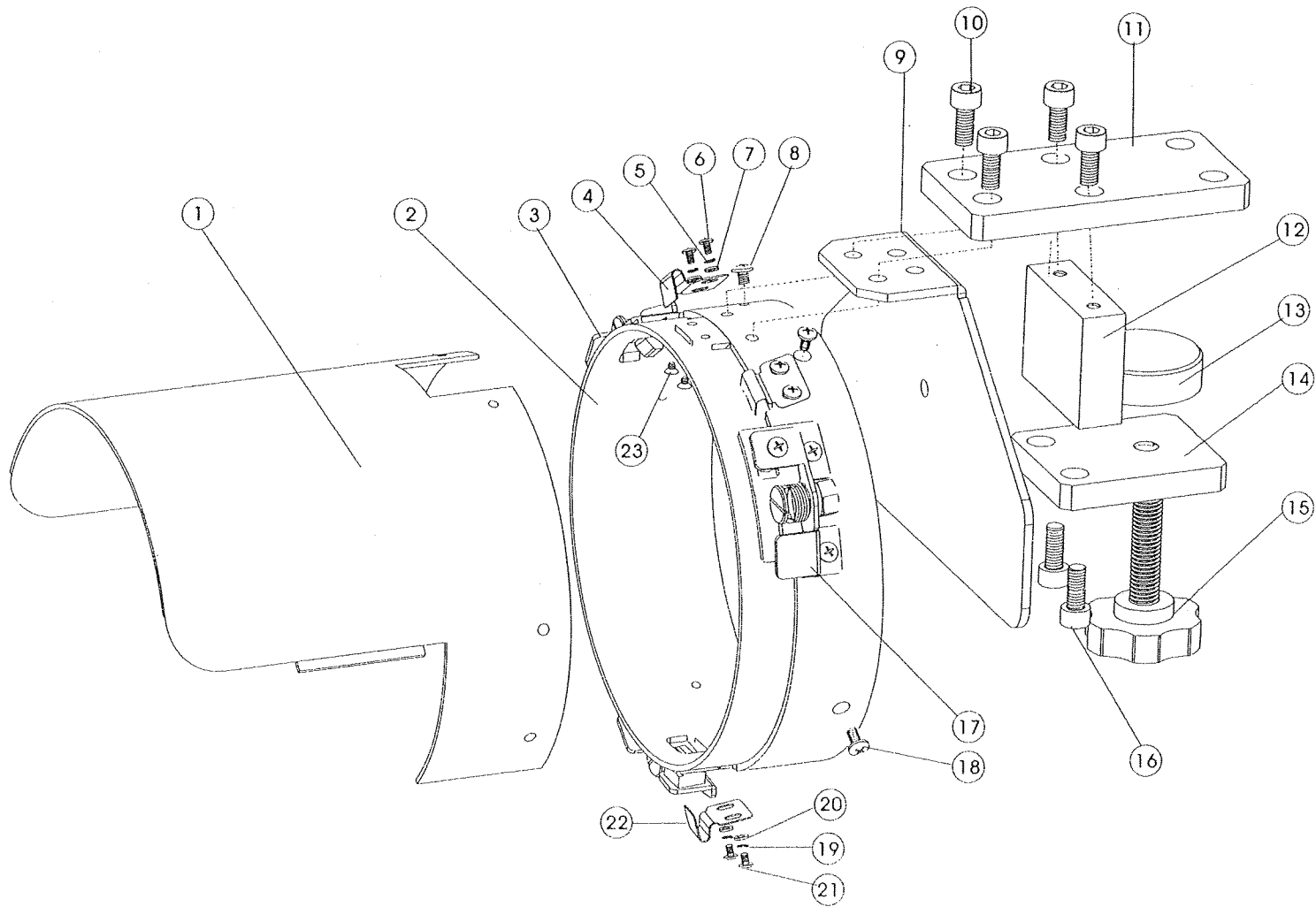


SN	Part No	Description	Note
①	GB97.1-1985	Plain Washer	$\phi$ 4
②	MK-0803	Cap Holder Plate	
③	GB/T896-1986	Washer	$\phi$ 6
④	MK-0801	Clip Pole	
⑤	GB/T819-2000	Screw	M3X6
⑥	GB97.1-1985	Plain Washer	$\phi$ 3
⑦	GB/T93-1987	Spring Washer	$\phi$ 3
⑧	GB/T41-2000	Nut	M3
⑨	MK-0804	Cap Holder	
⑩	MK-0018	Cap Position Indicator	
⑪	GB/T823-1988	Screw	M3X4
⑫	GB97.1-1985	Plain Washer	$\phi$ 3
⑬	MK-08	Cap Frame	
⑭	GB/T41-2000	Nut	M4
⑮	GB/T93-1987	Spring Washer	$\phi$ 4
⑯	GB97.1-1985	Plain Washer	$\phi$ 4
⑰	GB/T823-1988	Screw	M3X6
⑱	GB97.1-1985	Plain Washer	$\phi$ 3
⑲	GB/T93-1987	Spring Washer	$\phi$ 3

SN	Part No	Description	Note
⑳	GB/T41-2000	Nut	M3
㉑	MK-03	Clip Set	
㉒	MK-0802	Clip Holder	

From the library of: Diamond Needle Corp

— CAP BASE —



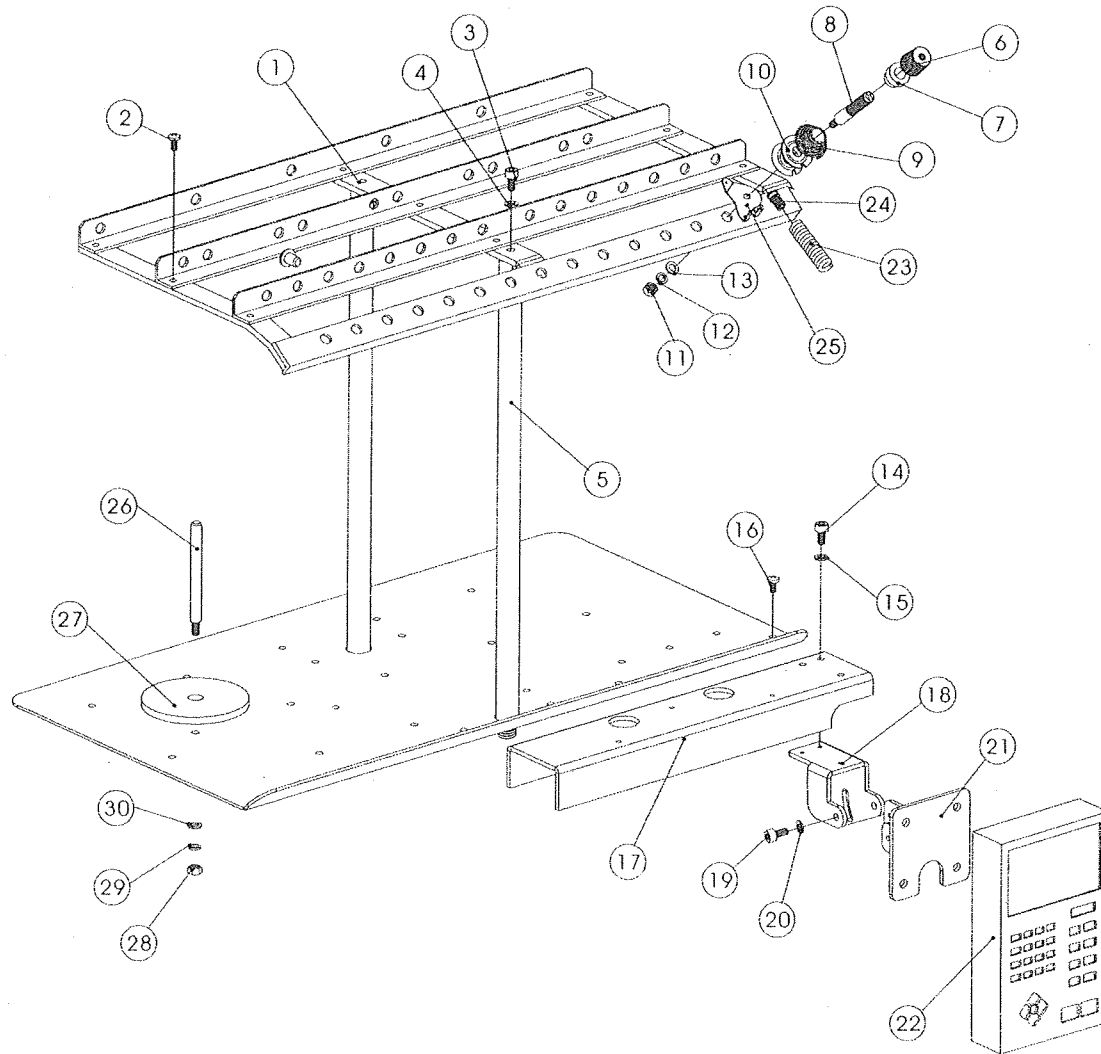
From the library of: Diamond Needle Corp

SN	Part No	Description	Note
①	MK-0706	Tougue	
②	MK-0701	Cap Frame Holder	
③	MK-01	Cap Frame Clip Set (L)	
④	MK-0016	Spring Plate	
⑤	GB/T93-1987	Spring Washer	φ 3
⑥	GB/T823-1988	Screw	M3X4
⑦	GB97.1-1985	Plain Washer	φ 3
⑧	GB/T823-1988	Screw	M4X6
⑨	MK-0702	Back Cover	
⑩	GB/T70.1--2000	Screw	M5X14
⑪	MK-0703	Mounting Plate 1	
⑫	MK-0704	Mounting Plate 2	
⑬	MK-0708	Washer	
⑭	MK-0705	Mounting Plate 3	
⑮	MK-0707	Fastening Screw	
⑯	GB/T70.1--2000	Screw	M5X10
⑰	MK-02	Cap Frame Clip Set (R )	
⑱	GB/T823-1988	Screw	M4X6
⑲	GB97.1-1985	Plain Washer	φ 3

SN	Part No	Description	Note
⑳	GB/T93-1987	Spring Washer	φ 3
㉑	GB/T823-1988	Screw	M3X4
㉒	MK-0016	Spring Plate	
㉓	GB/T819-2000	Screw	M3X3

From the library of: Diamond Needle Corp

THREAD STAND



From the library of: Diamond Needle Corp

—— THREAD STAND ——

SN	Part No	Description	Note
①	MD--1811-A	Thread Stand	
②	GB/T823-1988	Screw	M4X6
③	GB/T70.1--2000	Screw	M5X16
④	GB/T93-1987	Spring Washer	φ 5
⑤	MD--1811	Thread pole	
⑥	MD--1214	Tension Adjusting Knob	
⑦	MD--1223	Spring Positioner	
⑧	MD--1213	Tension Stud	
⑨	MD--1212	Tension Spring	
⑩	MD--1810	Tension Disk	
⑪	GB/T41-2000	Nut	M4
⑫	GB/T93-1987	Spring Washer	φ 4
⑬	GB97.1-1985	Plain Wahser	φ 4
⑭	GB/T70.1--2000	Screw	M4X10
⑮	GB/T93-1987	Spring Washer	φ 4
⑯	GB/T823-1988	Screw	M4X6
⑰	MD--1809	Operation Panal Base C	
⑱	MD--1808	Operation Panal Base B	
⑲	GB/T70.1--2000	Screw	M4X10

SN	Part No	Description	Note
⑳	GB/T93-1987	Spring Washer	φ 4
㉑	MD--1807	Operation Panel Base A	
㉒	MD--1807-A	Operation Panel	
㉓	MD--1222-A	Tube	
㉔	MD--1222	Tube End	
㉕	MD--1801	Tube End Base	
㉖	MD--1811-C	Thread Stand Pin	
㉗	MD--1811-D	Underlay	
㉘	GB/T41-2000	Nut	M5
㉙	GB/T93-1987	Spring Washer	φ 5
㉚	GB97.1-1985	Plain Washer	φ 5

From the library of: Diamond Needle Corp

Macpherson  
**Meistergram**<sup>®</sup>

**Main Office**  
119 West 25th Street  
New York, NY 10001  
Tel: 212-741-7788  
Fax: 212-741-7787

web: [www.macphersonmeistergram.com](http://www.macphersonmeistergram.com)

**PARTS MANUAL for COMPACT MULTI HEAD DROP TABLE EMBROIDERY MACHINES**